

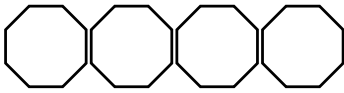
Item:

***710.100**

EN

Summary:

1. <i>Instruction Warnings</i>	2
2. <i>Safety and Right Use Warning</i>	2
3. <i>Warranty</i>	2
4. <i>Installation</i>	3
4.1 <i>Technical Features</i>	4
5. <i>Cleaning and Manteinance</i>	7
5.1 <i>Breakdowns</i>	7
5.2 <i>Wiring diagram</i>	7
6. <i>Disposal</i>	8



1. Instruction Warnings

User has to hold the whole instructions. User must store up this document in case of use. Producer do not assume any responsibility for damages incurred due to the failure of improper use of this manual.

All measures in this manual are in mm.

2. Safety and Right Use Warning

This product meets the latest technological evolutions and current safety guidelines.



Trolley line **VEGA P**, object of this booklet, is projected to be in compliance with directives and field laws, in order to guarantee a safe and reliable product.

Any other use will be considered inapposit to the original destination. Producer do not assume any responsibility for damages caused by an improper use. Responsibility lies only on user.

A proper use also includes compliance with the instructions for use and installation and any additional documentation as well as the conditions of inspection and maintenance.

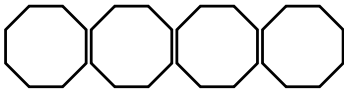
3. Warranty

This product is designed and produced for a professional environment. Due to commercial and construction requirements, the manufacturer reserves the right to make changes in order to enhance the quality and use of product.

The manufacturer in compliance with European Community legislation, grants its products for 24 months. This guarantee does not include electrical parts, labor and all replacements related to an improper use of the good.

Any manipulation carried out automatically excludes the liability of the manufacturer. The products or parts to be replaced or repaired for unequivocal defects in workmanship and materials used must be in a “free port” at the offices of the producer, who after a careful inspection, will repair or replace them.

The repairs are carried out exclusively at the headquarters of the manufacturer, and none cost incurred by the customer for repairs will be refunded by the manufacturer unless expressly agreed.



4. Installation

This item is packed and shipped assembled. The manufacturer declines every responsibility of damage of someone or something caused by the failure to comply with the instructions of this manual.



Do not make any structural change to the trolley.

The elements composing the trolley (plastic, polyurethane foam, bubble wrap, Styrofoam, cardboard and so on) must be kept away from children as potential sources of danger and must be collected and disposed off separately in accordance with local regulations.

The manufacturer declines every responsibility of damage of someone or something caused by the failure to comply with the instructions of this manual.

After the unpacking of the item from its packing, proceed by removing the adhesive plastic tape before starting up the product. Any residual glue has to be removed carefully (do not use abrasive cleaners).

The device is designed to run on AC to the voltage specified on the technical data plate (located on the bottom of the tank).

The grounding line is marked by the colours yellow/green and must not be interrupted.

The device is provided with a cable in accordance with the CE regulations and with has CE and schuko plug (that can be replaced, when necessary, with a different plug, suitable for the specified wattage and in accordance to the current regulations and guidelines; when necessary, replace the provided cable with a new one with the same features).

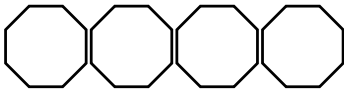
Before switching the appliance:

- Check if the electrical system can withstand the appliance's load (WATT as indicated on the technical plate)
- Make sure that the electrical system is provided with ground connection according to the current norms and guidelines.
- Connect the device to the grounding network through a cable which has to be connected to the specified screw located on the external casing of the device itself.

First service warnings:



Some unpleasant smells and smoke could come out the appliance during the first use of the heated appliance because of the production traces of grease, **FOR THE FIRST SERVICE TURN ON THE APPLIANCE (WITH NOTHING INSIDE) AND LEAVE THE DOOR OPEN FOR SOME MINUTES,** in order to eliminate any residual that could affect the food inside.



WARNING:



Once turned on, the appliance will reach the desired temperature very quickly. In order to avoid any inconvenience, turn the device on only shortly before starting the service and turn it off shortly after the end. Do not make any structural change to the appliance.

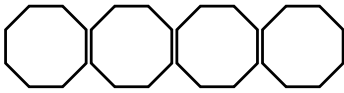
4.1 Technical Features

	Vega GN 1/1 C16 1P + R	Vega GN 1/1 L10 1P + R
Heating element	2000 W	2000 W
Power supply	230 V	
Temperature range	30-70°C *	
Guides	16 shelves "C" anti tip	10 shelves "L"
Weight (Kg)	95	95

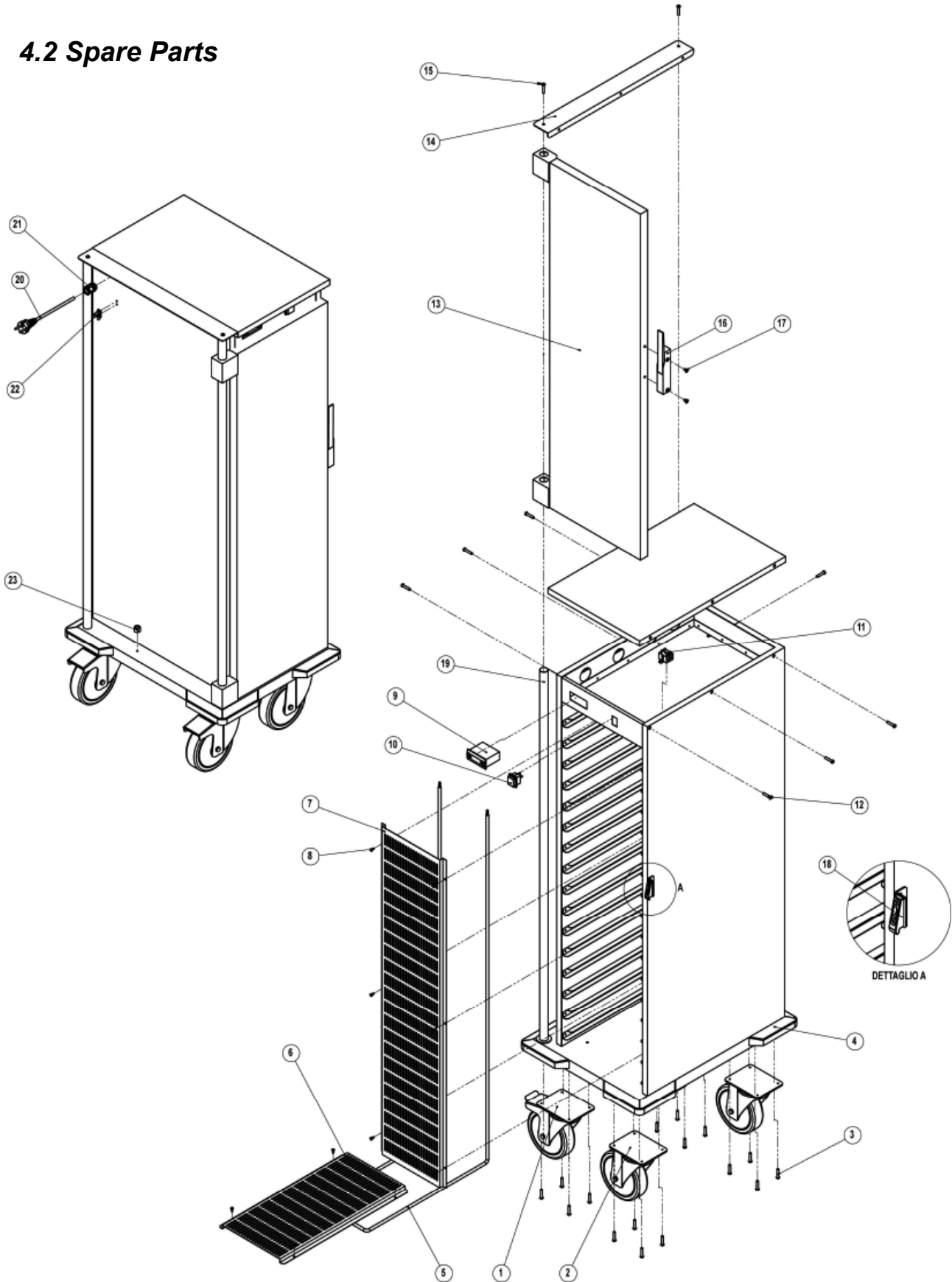


* **WARNING:** Once the thermostat reaches the max standard temperature (75°C) set from the manufacturer, the inside temperature will increase up to about 15°C (according to the situation, to the quantity of product inside the appliance, etc...).

This is not a defect but the result of the double insulated walls effect which retain the heat for a long time even when the heating element is no longer working.



4.2 Spare Parts

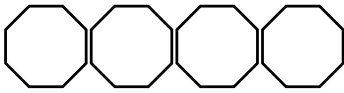




VEGA GN 1/1 C16 1P + R – VEGA GN 1/1 L10 1P + R

Ref.	Code	Quantity	Description
1	RF 160	2	Castor with brake Ø160
2	RS 160	2	Standard castor Ø160
3		16	Screws
4		4	Plastic bumpers
5		1	Heating element W2000
6		1	Horizontal grid
7		1	Vertical grid
8		10	Grid screws
9		1	Electronic thermostat
10		1	Power switch
11		1	Safety Thermostat
12		7	Top screws
13		1	Door
14		1	Push handle bracket
15		2	Push handle bracket screws
16		1	Door handle
17		2	Door handle screws
18		1	Cricchetto serratura
19		2	Push handle
20		1	Schuko cable
21		1	Cable gland
22		1	Cable clamp
23		1	Doorstopper

**THE MANUFACTURER'S RESPONSABILITY AND THE PRODUCT'S WARRANTY
WILL BE CONSIDER VOID AGAINST ANY MANIPULATION MADE BY THE USER.**



5. Cleaning and Maintenance



WARNING:

Before any cleaning operation unplug the device from the electrical system. Never wash the appliance with water jets in order to prevent water seepage inside the electrical components.



Before any cleaning operation wait for the appliance to be cooled down (wait at least one hour from the end of the service).

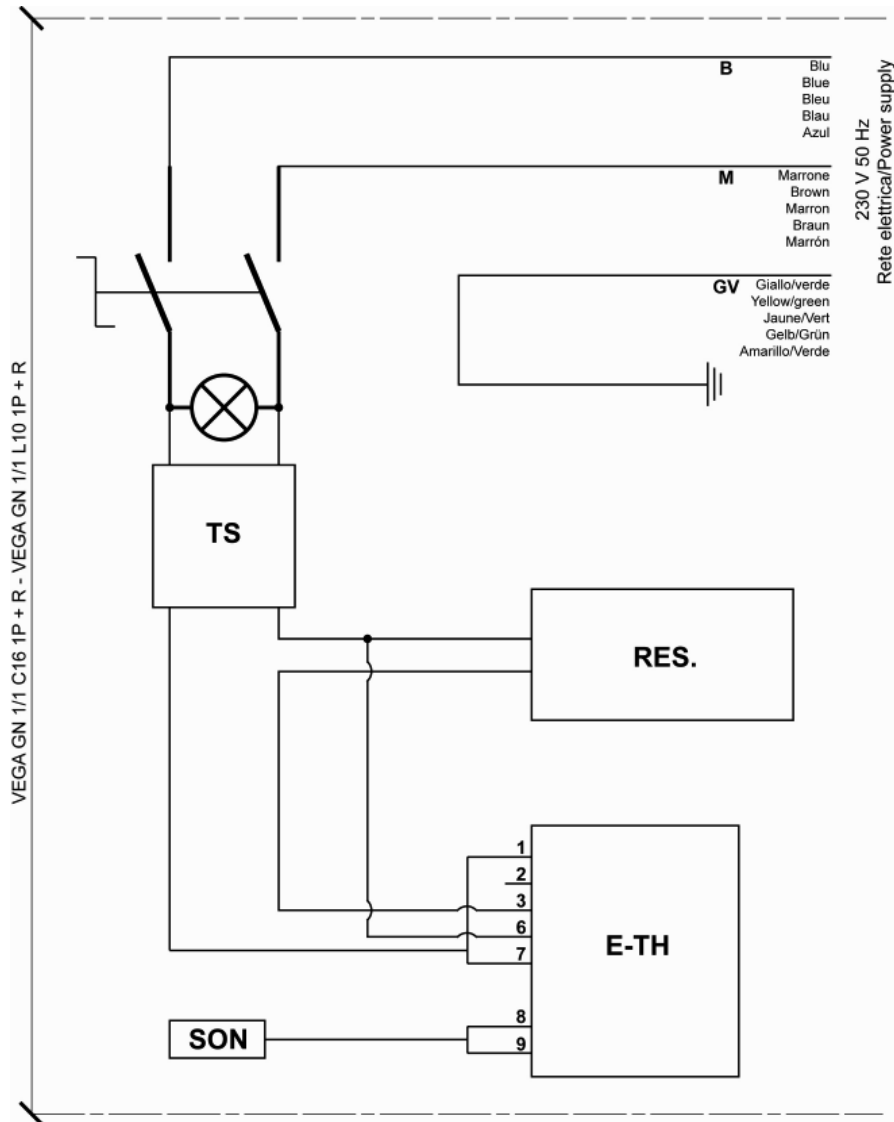
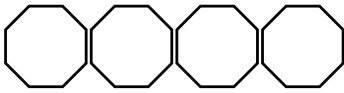
The thermic trolley should be cleaned with specific cleansers for stainless steel. The trolley is supplied with a safety thermostat set to 150°C, which works in case of malfunction of the electronic thermostat. To reset the system following an interruption due to the safety thermostat, unscrew the top (see n.12 page 5) and push the red button on it.

5.1 Breakdowns

Problem	Possible reasons	Solutions
The trolley does not heat up	Power cut	Check the power presence in the electricity network.
	The heating element is burned	Contact the retailer
	The thermostat is broken	Contact the retailer
	The power switch is broken	Contact the retailer
	The power cable is worned-out	Replace the cable with a new one with the same technical features

5.2 Wiring diagram

Ref.	Description
TS	Safety Thermostat
E-TH	Electronic Thermostat
SON	Probe Electronic Thermostat
RES	Heating Element



6. Disposal



At the end of its life cycle, the device must be disposed according to the current regulations and must, where possible, be disassembled and disposed according to the nature of its various components. The packing materials (plastic, foam, bubble wrap, styrofoam, cardboard etc) must be kept away from children as potential sources of danger and must be collected and disposed separately in accordance with the local regulations.

This marking shown on the product or its literature, indicates that it should not be disposed with other household wastes at the end of its working life. To prevent possible harm to the environment or human health from uncontrolled waste disposal, please separate this from other types of wastes and recycle it responsibly to promote the sustainable reuse of material resources. Household users should contact either the retailer where they purchased this product, or their local government office, for details of where and how they can take this item for environmentally safe recycling.